

Pedigree Practice

Name _____

Date _____ Per. _____

E = free earlobes

e = attached earlobes

Tom and Sue get married.

Tom has free earlobes and Sue has attached earlobes.

They had 3 children. (2 boys and 1 girl)

John – son with free earlobes

Mark – son with attached earlobes

Molly – daughter with free earlobes

John married Erin who had free earlobes.

They had 1 boy and 1 girl. Both had attached earlobes.

Mark did not get married nor have any children.

Molly married Patrick who had attached earlobes.

They had 2 boys. One had free earlobes and one had attached earlobes.

Draw a pedigree for the family above tracking the dominant trait and then answer the questions at the end.

1. How many family members are pure for the trait? _____

2. How many family members are hybrids for the trait? _____

Pedigree Practice

Name _____
Date _____ Per. _____

E = free earlobes **e = attached earlobes**

Tom and Sue get married.
Tom has free earlobes and Sue has attached earlobes.
They had 3 children. (2 boys and 1 girl)

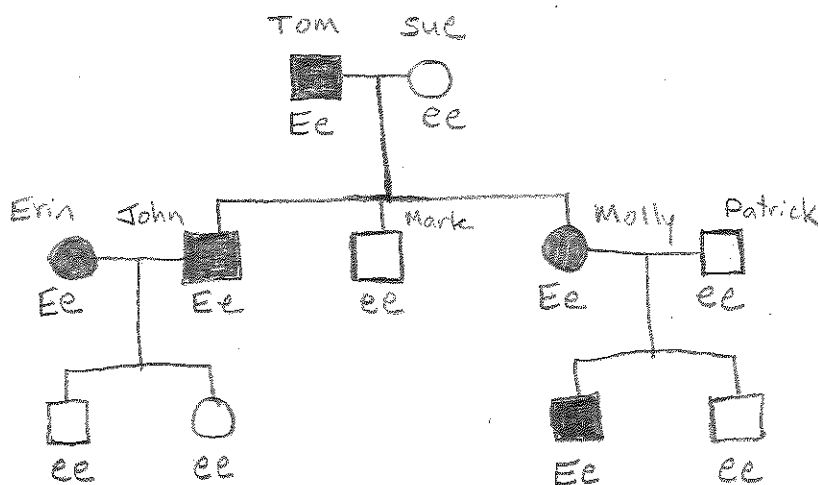
John – son with free earlobes
Mark – son with attached earlobes
Molly – daughter with free earlobes

John married Erin who had free earlobes.
They had 1 boy and 1 girl. Both had attached earlobes.

Mark did not get married nor have any children.

Molly married Patrick who had attached earlobes.
They had 2 boys. One had free earlobes and one had attached earlobes.

Draw a pedigree for the family above tracking the dominant trait and then answer the questions at the end.



1. How many family members are pure for the trait? 0

2. How many family members are hybrids for the trait? 5